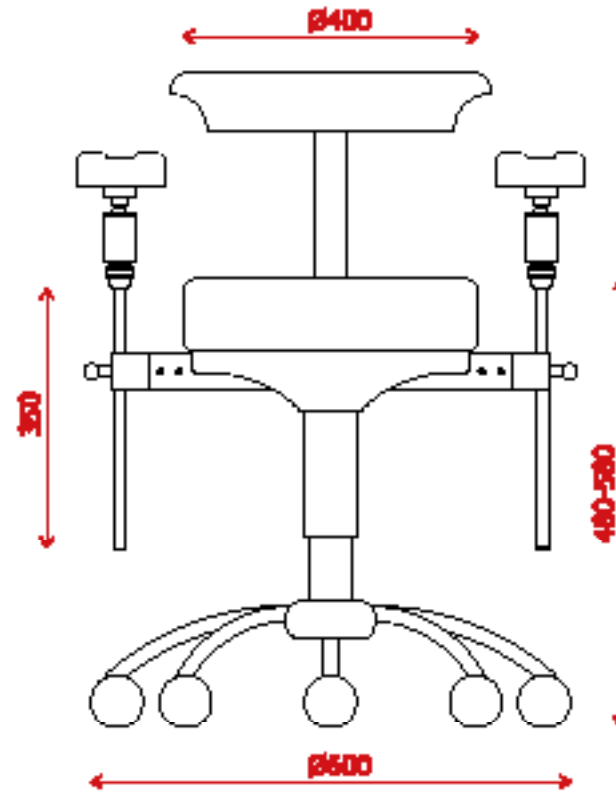
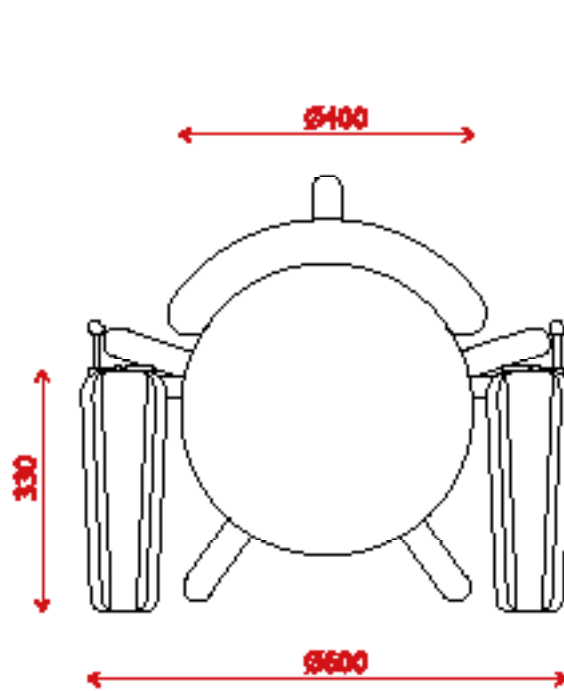


# HP Gel - S

DIMENSIONS AND TECHNICAL SHEETS  
DIMENSIONS ET FICHES TECHNIQUES  
DIMENSIONI E DATI TECNICI



Innovative Medical Solutions

**BTC Srl**

Via Altobelli Bonetti, 8/A-10 40026 Imola (BO) Italy

Tel: +39 0542 643664 - Fax: +39 0542 647391

[www.btc-med.it](http://www.btc-med.it) [btcmcd@btc-med.it](mailto:btcmcd@btc-med.it)

Maximum load | *Capacité maximum* | Capacità di carico 140 Kg

Weight of the chair | *Poids du fauteuil* | Peso della poltrona 19 Kg