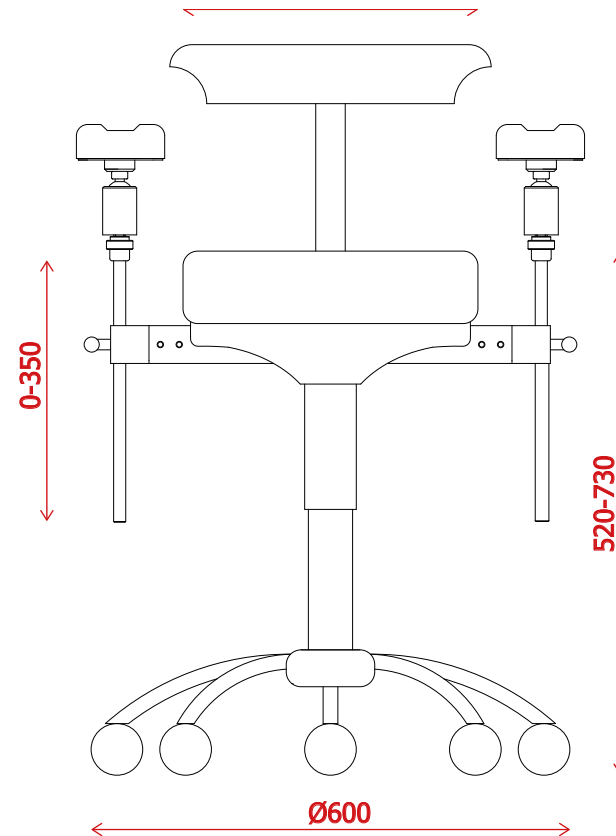
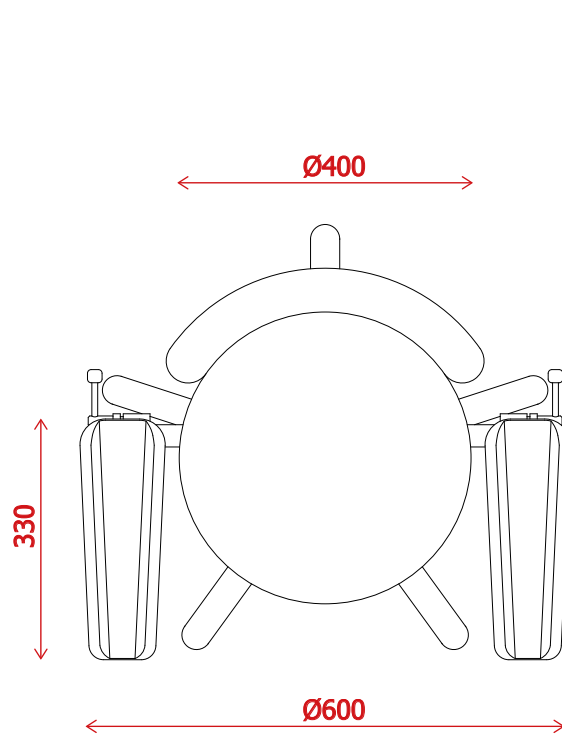


HP Gel - S HIGH

DIMENSIONS AND TECHNICAL SHEETS
DIMENSIONS ET FICHES TECHNIQUES
DIMENSIONI E DATI TECNICI



Innovative Medical Solutions

BTC Srl

Via Altobelli Bonetti, 8/A-10 40026 Imola (BO) Italy

Tel: +39 0542 643664 - Fax: +39 0542 647391

www.btc-med.it btcmmed@btc-med.it

Maximum load | *Capacité maximum* | Capacità di carico 140 Kg

Weight of the chair | *Poids du fauteuil* | Peso della poltrona 19 Kg